

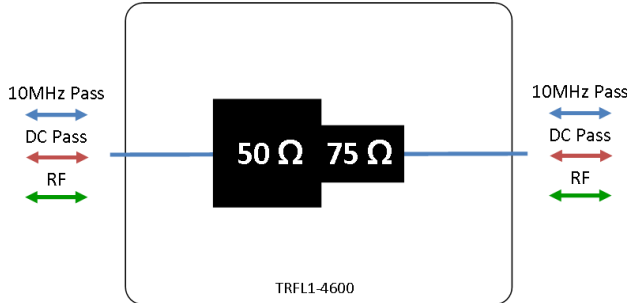


Model Number:  
**TRFL1-4600**

RF Components

# L-band Impedance Transformer

850 - 2150 MHz



- DC & 10 MHz pass

Available with RF connector options:

- 50 Ω SMA
- 50 Ω N-type
- 50 Ω BNC
- 75 Ω BNC
- 75 Ω F-type.



**Compact**  
Housed in rugged compact enclosure

**Flexible Mounting**  
Tapped screw & through hole mounting options

**850-2150 MHz**  
Operating frequency range. L-Band ready

RF Parameters							
TRFL1-4600	S5B7	S5F7	N5B7	N5F7	B5B7	B5F7	
Frequency Range	850-2150 MHz						
RF Connectors	50Ω SMA 75Ω BNC	50Ω SMA 75Ω F-Type	50Ω N-Type 75Ω BNC	50Ω N-Type 75Ω F-Type	50Ω BNC 75Ω BNC	50Ω BNC 75Ω F-Type	
Insertion Loss (dB)	Typ.	0.4	0.5	0.4	0.5	0.4	0.5
	Max	0.7	0.8	0.7	0.8	0.7	0.8
Flatness ± (dB)	0.3	0.3	0.3	0.3	0.3	0.3	
<b>50Ω Port</b>	SMA	SMA	N-Type	N-Type	BNC	BNC	
Input Return Loss (dB)	Typ.	20	20	20	20	18	18
	Min	15	15	15	15	14	14
<b>75Ω Port</b>	BNC	F-Type	BNC	F-Type	BNC	F-Type	
Input Return Loss (dB)	Typ.	18	16	18	16	18	16
	Min	12	12	14	12	14	12

## Broadcast



## Marine Oil & Gas



## SNG & VSAT



## Satellite Teleport





RF Components

Model Number:  
**TRFL1-4600**  
L-band Impedance Transformer

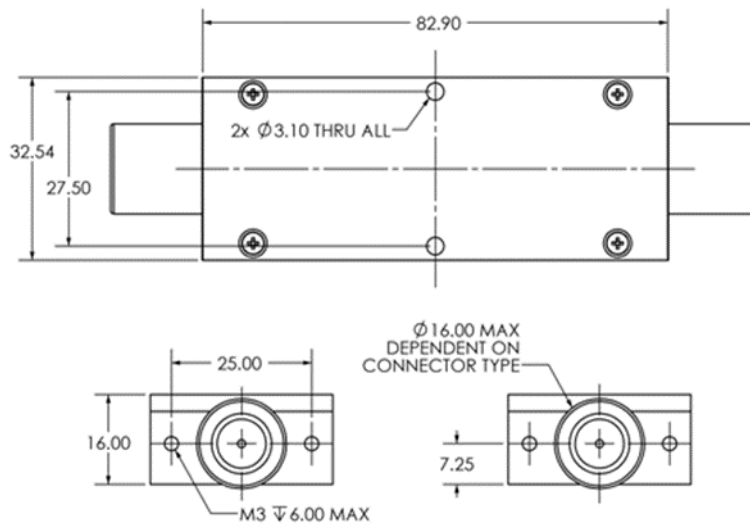
### Technical specifications and operating parameters

Environmental		
Operating Temperature		0°C to +45°C
Storage Temperature		-20°C to +75°C
Location		Indoor use Only
Humidity	Max	85% non-condensing
Altitude	Max	10,000 feet

Max Operating Parameters		
Input RF Power		+37 dBm (5W)
DC Voltage		50V
DC Current	Max	3.5A

**!** Operation beyond these limits may cause instantaneous and permanent damage.

### Physical Dimensions (mm)



Note: The specification is subject to regular reviews and will be updated from time to time as part of our continuing product development and improved specification accuracy.

ETL SYSTEMS LIMITED  
Coldwell Radio Station  
Madley  
Hereford  
England HR2 9NE

TELEPHONE  
+44 (0)1981 259020  
  
EMAIL  
info@etlsystems.com

FACSIMILE  
+44 (0)1981 259021  
  
WEB  
www.etlsystems.com

